

## DRY CLEANED 2 PIECES STAINLESS STEEL BALL VALVE FOR OXYGEN BSP

2 pieces stainless steel oxygen dry cleaned ball valve with full bore for Chemical industries, petrochemical industries, hydraulic installation, heating, water distribution, oxygen and compressed air.

PTFE packing and PTFE filled with 15% Glass fiber seat for a temperature up to +200°C.

Compatible with explosive atmosphere, ATEX Zone 1&21 and Zone 2&22 thanks to the antistatic device.

Valve in accordance with the regulation (EC) N° 1935/2004.



**Size :** DN1/4" to DN2"

**Connection :** Female BSP

**Min Temperature :** -20°C

**Max Temperature :** +200°C

**Max Pressure :** 63 Bars

**Specifications :** For oxygen

PTFE filled with 15% glass fiber seat

Anti blow-out stem

ATEX

In accordance with the regulation EC 1935/2004

**Materials :** Stainless Steel EN 1.4408

**DRY CLEANED 2 PIECES STAINLESS STEEL BALL VALVE FOR OXYGEN BSP**

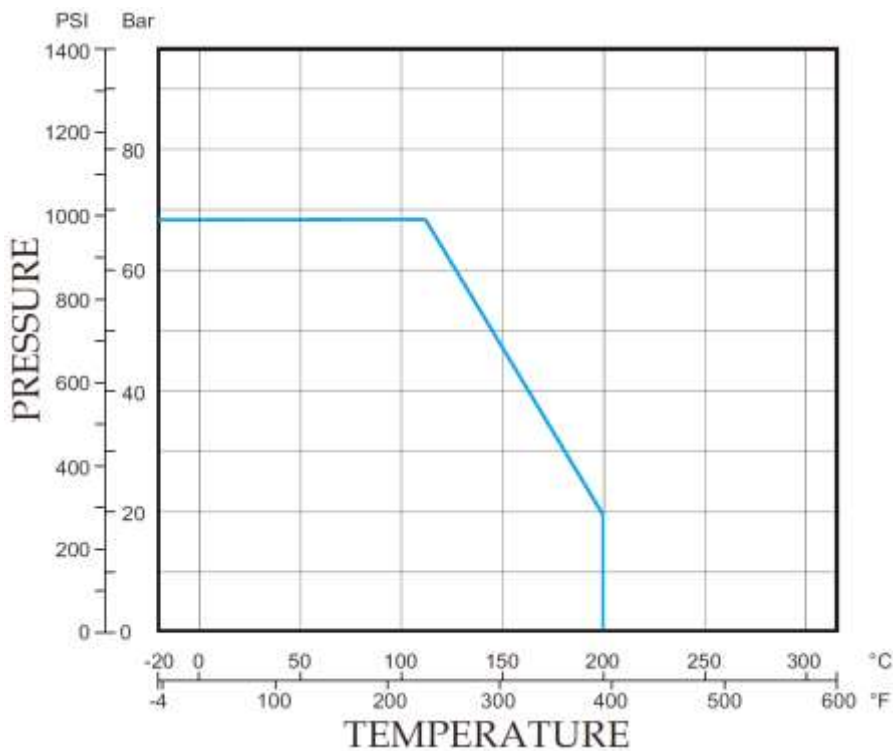
**SPECIFICATIONS :**

- Valve in accordance with the regulation (EC) N° 1935/2004
- Full bore
- Anti blow-out stem
- PTFE filled with 15% glass fiber seat
- Locking handle
- Atex
- Double antistatic device
- 2 pieces type
- Solid ball
- Dry cleaned for oxygen

**USE :**

- For oxygen
- Min and max Temperatures Ts : -20°C to + 200°C
- Max Pressure Ps : 63 bars ( see graph )

**PRESSURE / TEMPERATURE GRAPH (STEAM EXCLUDED) :**



**FLOW COEFFICIENT Kvs ( M3 / h ) :**

DN	1/4"	3/8"	1/2"	3/4"	1"	1"1/4"	1"1/2"	2"
Kvs ( m3/h )	19	22	34	62	98	170	247	427

**DRY CLEANED 2 PIECES STAINLESS STEEL BALL VALVE FOR OXYGEN BSP****TORQUE VALUES ( in Nm without safety coefficient ) :**

DN	1/4"	3/8"	1/2"	3/4"	1"	1"1/4"	1"1/2"	2"
Torque ( Nm )	3.5	4	5.5	7.5	11	15	20	40

**RANGE :**

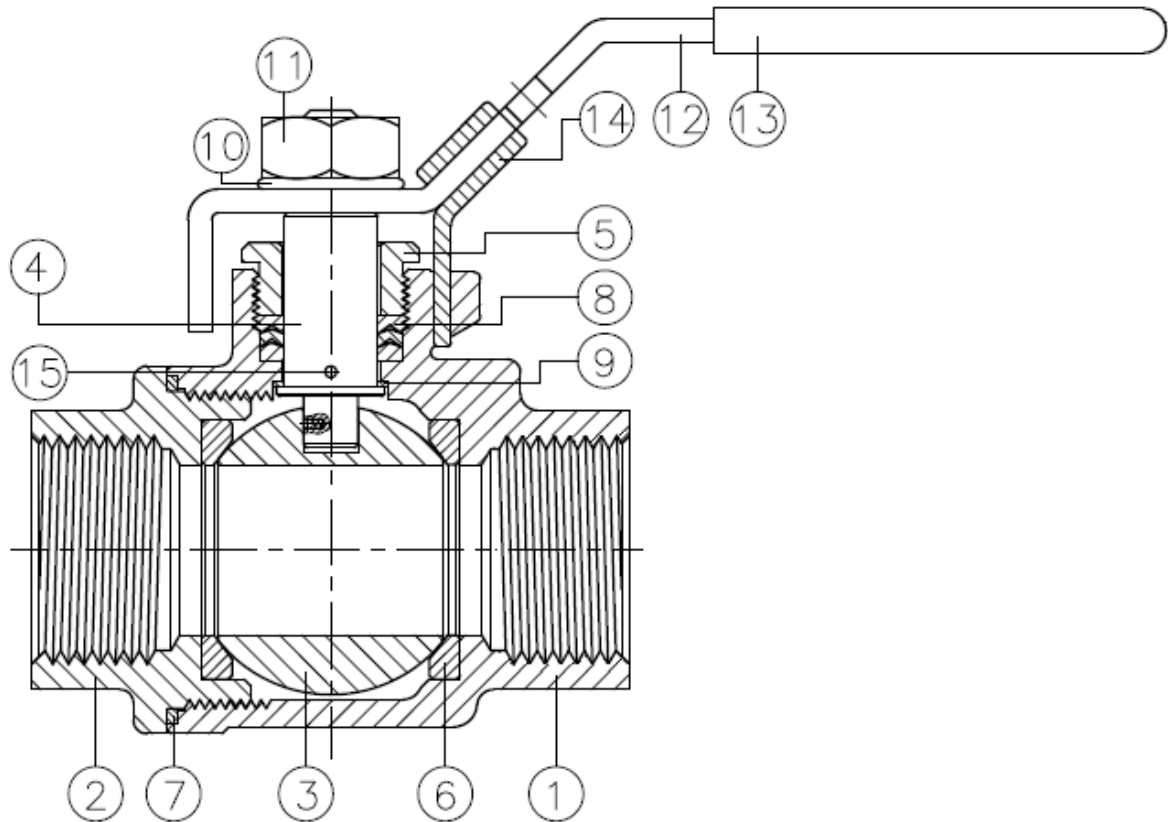
- Dry cleaned stainless steel ball valve for oxygen **Ref. 7143** from DN 1/4" to DN 2"

**CONNECTION :**

- Female / female threaded BSP cylindrical ends

**DRY CLEANED 2 PIECES STAINLESS STEEL BALL VALVE FOR OXYGEN BSP**

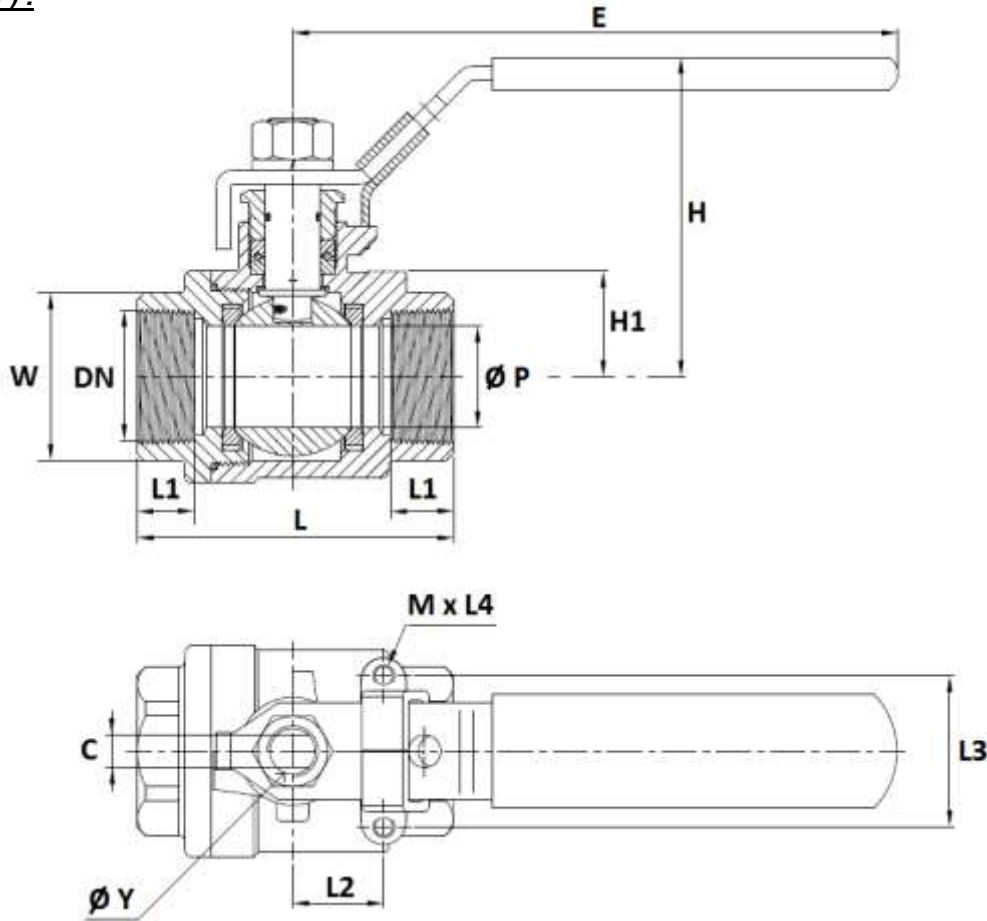
**MATERIALS :**



Item	Designation	Materials
1	Body	EN 1.4408
2	Ends	
3	Ball	
4	Stem	ASTM A276-316
5	Packing nut	AISI 304
6	Seat	PTFE filled with 15% glass fiber
7	Body gasket	PTFE
8	Packing	
9	Gasket	
10	Washer	AISI 304
11	Handle nut	
12	Handle	
13	Handle cover	PVC
14	Locking device	AISI 304
15	Antistatic device	AISI 316

**DRY CLEANED 2 PIECES STAINLESS STEEL BALL VALVE FOR OXYGEN BSP**

SIZE ( in mm ) :



DN	1/4"	3/8"	1/2"	3/4"	1"	1"1/4	1"1/2	2"
Ø P	11.6	12.5	15	20	25	32	38	50
L	50.8	50.8	58	65.6	78.7	90	105	124
L1	10	9	13	13	17	18	20	24
L2	12.7	12.7	12.7	12.7	22.4	22.4	23.2	23.2
L3	28.5	28.5	28.5	28.5	35	35	38.1	38.1
M x L4	M5 x 5.5			M5 x 6	M5 x 6.5	M6 x 5.5	M6 x 6	
E	100	100	100	125	149	149	190	190
H	58.5	58.5	58.5	63.5	78	83	102	108
H1	15.8	15.8	15.8	21.3	23.8	30.5	35.5	44.3
C	5	5	5	6.5	8	8	10	10
Ø Y	9.5 (3/8"-24UNF)			11.1 (7/16"-20UNF)			12.7 (1/2"-20UNF)	
W (on flat)	19	23	26	32	38	49	54	67
Weight (Kg)	0.2	0.2	0.3	0.5	0.8	1.1	1.8	2.7
Ref.	714302	714303	714304	714305	714306	714307	714308	714309

**DRY CLEANED 2 PIECES STAINLESS STEEL BALL VALVE FOR OXYGEN BSP****STANDARDS :**

- Manufacturer certified ISO 9001 : 2015
- DIRECTIVE 2014/68/EU : For liquids and gas of Group 1
  - DN1/4"-1" : Article 4, §3 (SEP), no CE marking
  - DN1"1/4-2" : Risk Category II, CE0035 marking
- Certificate 3.1 on request
- Pressure tests according to API 598, table 6
- Female cylindrical BSP threaded ends according to ISO 7/1 Rp
- ATEX Group II Category 2 G/2D Zone 1 & 21 Zone 2 & 22 ( optional marking )
- Valve in accordance with the regulation EC 1935/2004 **on request**

**ADVICE :** Our opinion and our advice are not guaranteed and SFERACO shall not be liable for the consequences of damages. The customer must check the right choice of the products with the real service conditions.