

## Switch Box - Series ARP

Product code: SBT-012H0-2H

Datasheet creation date: 12/12/2025 08:49

Check the most updated document online [click here](#)

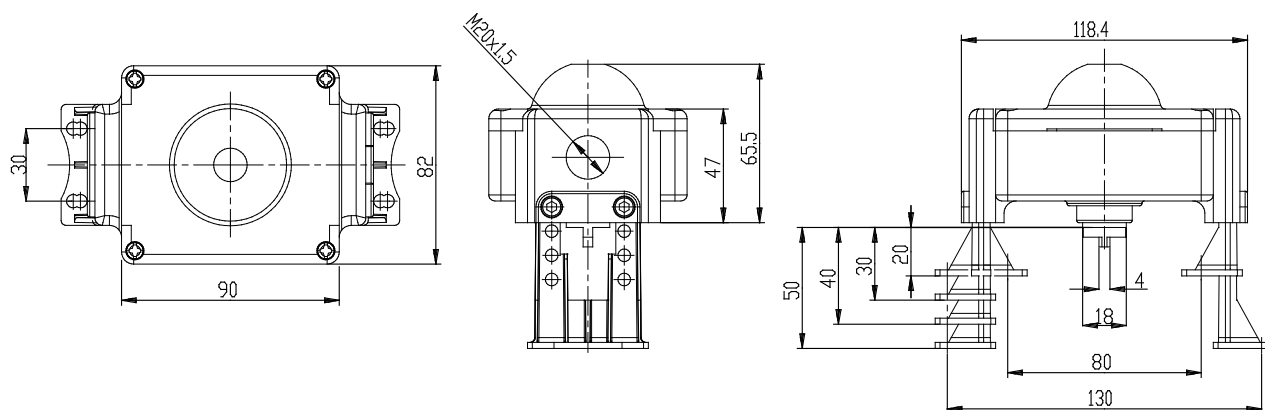


### TECHNICAL DATA

|                       |              |
|-----------------------|--------------|
| Mod.                  | SBT-012H0-2H |
| H (mm)                | 20           |
| Rotation angle (Grad) | 0            |

## Switch Box - Series ARP

Product code: SBT-012H0-2H



### DIMENSIONS

|                              |              |
|------------------------------|--------------|
| <b>Mod.</b>                  | SBT-012H0-2H |
| <b>H (mm)</b>                | 20           |
| <b>Rotation angle (Grad)</b> | 0            |