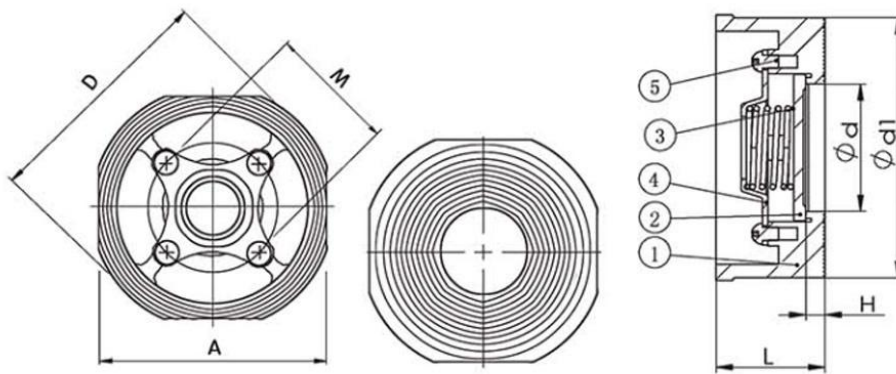
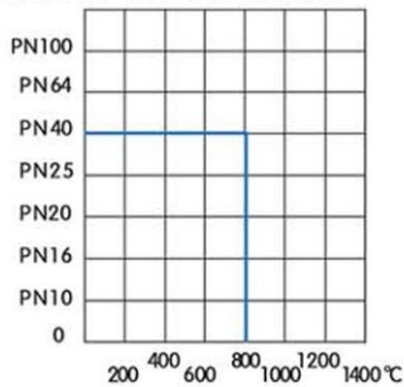


# T-1WC

## 1PC Wafer disc check valve



### PRESSURE SIZE (DN15-DN100)



### FEATURES

- ◆ Body in ASTM A351-CF8M
- ◆ DISC in ASTM-A351-CF8M

ITEM	PARTS	MATERIAL	QTY
1	BODY	ASTM-A351-CF8M	1
2	DISC	ASTM-A351-CF8M	1
3	SPRING	AISI 316	1
4	CAP	AISI 316	1
5	SCREW	AISI 304	4

UNIT:mm

DN	SIZE	d	d1	A	D	L	M	H
15	1/2"	15	43	45	53	16.5	27.7	4.4
20	3/4"	20	53	55	63	19.5	34.2	4.8
25	1"	25	63	65	73	22	39.4	5.4
32	1-1/4"	30	75	78	84	28	43.7	6.0
40	1-1/2"	38	86	88	94	32	54.0	6.6
50	2"	47	96	98	107	40	63.5	7.1
64	2-1/2"	62.5	115	118	126	46	82.8	7.8
80	3"	77	130	134	144	50	98.8	8.4
100	4"	96	151	154	164	60	119.8	9.0